

产品型号：SS-8.5 (2D SCAN)



SS-8.5-D二维扫描振镜是入射光斑为8.5mm，属于高速和高精度的结合，跟随误差可以做到110us，是响应速度比较快的产品，更适合应用于小字符高速度的扫描

SS-8.5-D is the model of 8.5mm aperture , which is the combination of high speed and high precision with tracking error is 110us and fast response speed and it's more suitable for small character with high speed scanning.

## 应用领域

- 激光雕刻
- 微加工
- 高速飞行标记行业
- 便携式手持设备

## Typical Applications

- Laser marking
- Micromaching
- Processing on-the-fly
- Portable handheld device

## 技术参数 (Specifications)

**SS-8.5-D**

入射光斑 (Aperture)	8.5mm
跟随误差时间 (Tracking error)	110us
打标速度 (Marking speed)	5 m/s
定位速度 (Positioning speed)	15.0 m/s
重复定位精度 (Repeatability)	<20urad
运行8小时以上漂移 (8hours drift)	<0.3mrad
非线性 (Nonlinearity)	<5mrad
光学扫描角度 (Scan angle)	±0.35rad
供电需求 (Power requirements)	±15V DC 3A
接口 (Interface)	数字 (Digital) XY2-100
工作温度 (Operating temperature)	25°C ± 10°C

(All angles are in optical degrees) \*F-theta f=160mm\*

## 规格型号 描述

**10600nm**

SS-8.5-10600-D 高速反射波长10600nm

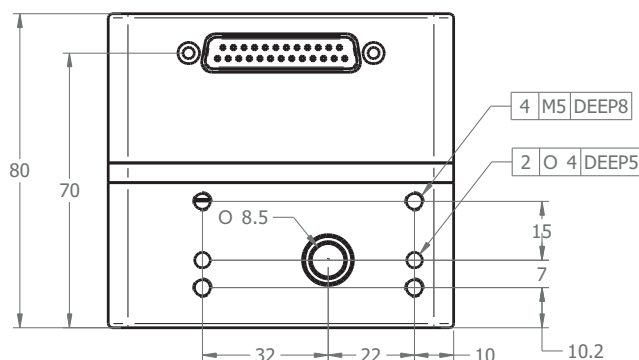
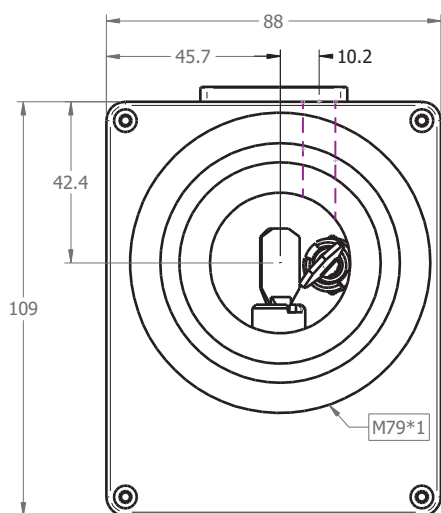
**1064nm**

SS-8.5-1064-D 高速反射波长1064nm

**355nm**

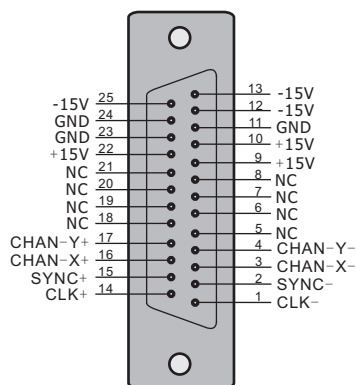
SS-8.5-355-D 高速反射波长355nm

## 机械尺寸 (单位mm) (Dimensions)



## SS-8.5-D

## 接口定义 (Interface)



25-pin female D-SUB connector (DIGITAL)